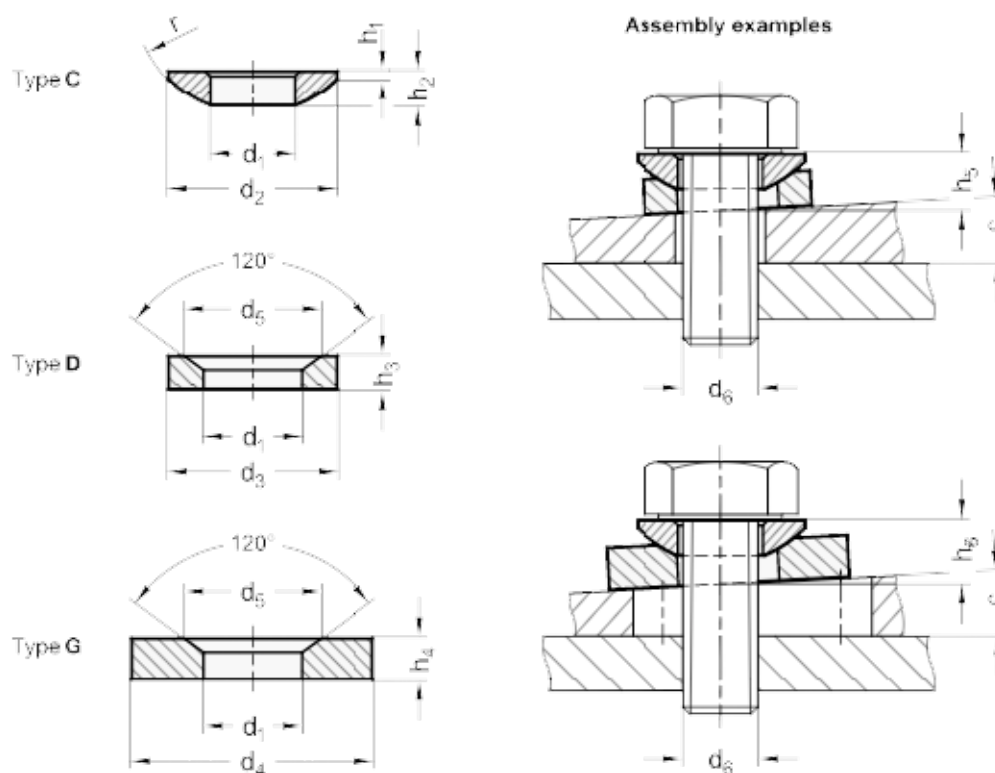


Article number: 20806016

Description: E+G Spherical washer, female  
DIN 6319-16,5-D

## Measures



$d_2 = 16.5$

$d_4 = 28$

$d_5 = 24.8$

$d_6 = M14$

$H_3 = 5.6$

$H_4 = 8.5$